



Ether-Lynx II

Category

C) Ethernet and Art-Net

Description

Art-Net Ethernet converter to four DMX512 & RDM outputs and two DMX512 inputs



Mechanical

- Housing: 19" 1U Rack Enclosure
- Material: Metal
- Overall Dimensions: 1RU (H) x 19" Rack (W) x 257mm (D)
- Mass: 2.5Kg
- Mounting: Desktop or 19" Rack Mounting (with supplied Rack Ears)
- Country of Manufacturer: The United Kingdom

Electrical

- Input Voltage: 90-250V AC
- Input Connector: IEC C13 Male
- Input Power (max): 30W
- Duty Cycle: 80% @ 25°C
- Mains Earthing: Case connected to Mains Earth
- Mains Fuse: 3.15A Slow Blow

Environmental

- Operating Temperature: 0°C to 40°C
- Storage Temperature: -10°C to +50°C
- Operating Relative Humidity (max): 80% Non-Condensing
- IP Rating: IP20 Indoor Use Only
- Certification: CE FCC, WEEE, RoHS
- Warranty: 2 Year (Return to Base)

User Interface / Indication

- Connections: (2) RJ45 Ethercon Art-Net
- (1) IEC C13 Male Mains Input
- (2) 5pin Male XLR DMX Input
- (4+2) 5pin Female XLR DMX Output / Loop
- Configuration: Jumpers / Switches, Universe, Sub-Net, RDM
- Disable, ROM Boot, Factory Reset, IP Address
- Indication: Power / Ethernet Link / Activity / Speed
- Art-Net Activity / DMX Activity

Control

- Control: 2 Universes (input) / 4 Universes (output)
- Input Protocols:
 - Art-Net II, DMX512, DMX512(1990), DMX512-A
- Input Connector: RJ45 (Ethercon), 5pin Male XLR
- Output Protocols: Art-Net, DMX512-A
 - RDM V1.0 (E1.20 - 2006 ESTA Standard)
- Output Connector: RJ45 (Ethercon), 5pin Female XLR
- Configuration: Universe, Sub-Net (Art-Net)
 - DMX Output Specification (via Web Browser)
 - Ethernet IP Address

Isolation / Protection

- Isolation: External Ethernet port Isolated to 2kV
- DMX Output - Ground Referenced
- Protection: Mains 3.15A Slow Blow Fuse
- Internal Resettable Fuse - Control Electronics
- +15kV ESD DMX Driver Protection

Package Contents

- Ether-Lynx II
- User Guide
- IEC Mains Lead
- Rack-Ears
- Jumpers (for configuration pins)

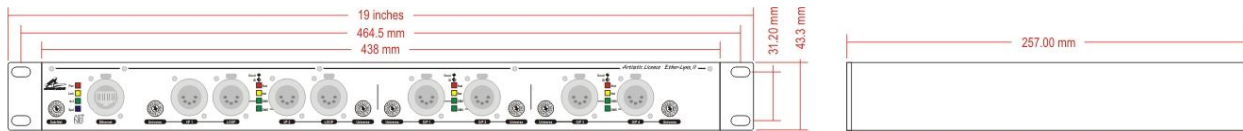
Ordering Info

Product Code: Ether-Lynx II

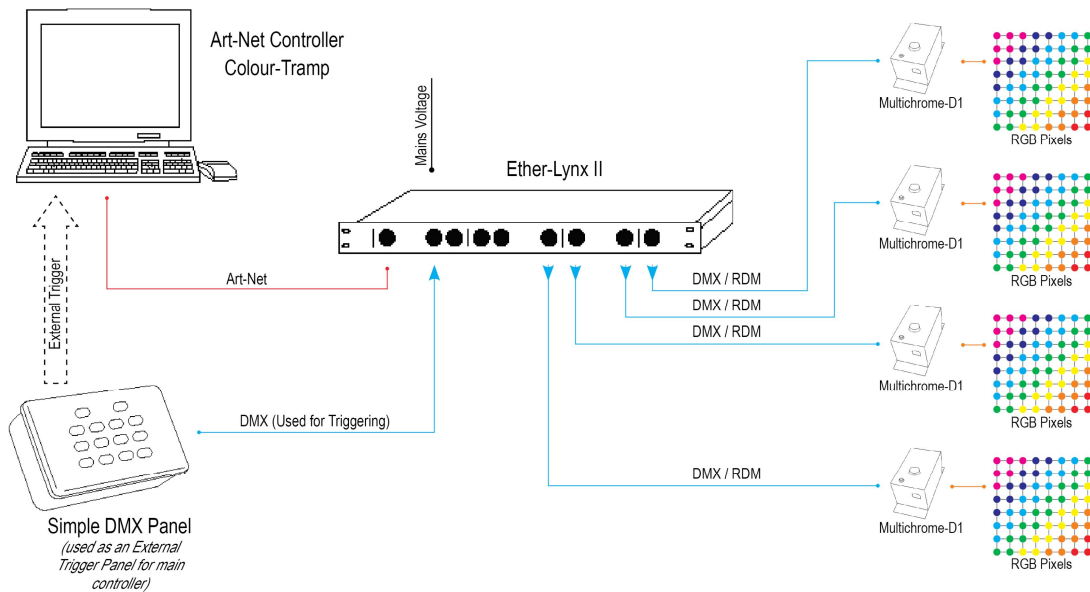




Mounting Drawing



Wiring Drawing



Artistic Licence Engineering Ltd

Artistic Licence Integration Ltd

24 Forward Drive
Christchurch Avenue
Harrow, Middlesex
London, HA3 8NT
United Kingdom

Telephone +44 (0)20 8863 4515
Fax +44 (0)20 8426 0551

Email: Sales@ArtisticLicence.com
www.ArtisticLicence.com

Artistic Licence Asia

1203, 69 Jervois Street
Shueng Wan
Hong Kong

Telephone +852 2850 8808
Fax +852 2850 8825

Email: ALASales@ArtisticLicence.com
www.ArtisticLicence.com



Due to our policy of continuing product improvement specifications are subject to change without notice

